



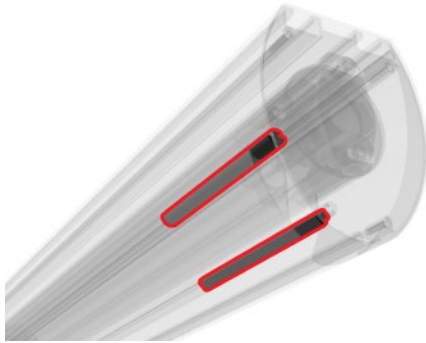
This projection screen model has been developed for the professional channel, where ease of installation, durable materials and simplicity of use are required.

In its tensioned version (Tensio Classic), the Rugby PRO screens are the perfect solution to combine aesthetics, functionality and technical performance.

The Tensio Classic system uses elastic tensioning cables threaded through eyelets, creating a curvature of the projection surface that prevents the formation of folds and puckering and ensures crease-free edges. The black (standard) or white (optional on request) side edges are available in 50 or 70 mm.

See page **65**
for Technical data





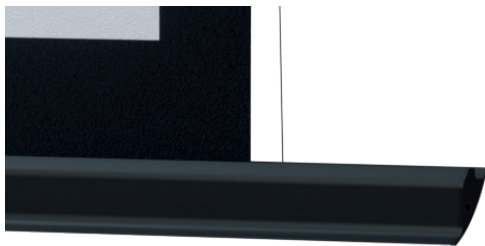
Softend Lowbar System

Designed using soft gaskets that dampen noise and absorb contacts when closing the lower bar.



SuperQuick Bracket Attachment System

The screen is supplied with an improved rapid and user-friendly fixing system for both wall and ceiling mounting. The clamping has been designed adopting symmetrical logics to enable both front and back mounting. The bracket kit consists of a single fixing unit (extruded aluminium bracket) and a single clamping unit (PVC moulded block), significantly reducing the number of parts.



Lowbar design detail ▲



(Optional) Screen with mechanical motor and radio receiver installed inside the casing (the receiver is not inside of the motor, like with a standard radio integrated motor).

Create your own screen with the PSS

- > **Personalized dimensions:** width and height
- > **Motor type:** standard motor or motor with RF receiver integrated in the casing (optional)
- > **Case:** with quick-installation system
- > **Case color:** standard in White Matte. Optional in Black Matte. Custom color for an extra cost
- > **Standard Drop:** from 5 to 45 cm
- > **Projection surface fall:** back (standard), front or reverse-roll (optional)
- > **Side of command/motor:** right (standard) or left (optional)

Projection Surfaces (see page 6)

- > VisionWhite / VisionWhitePro
- > AmbientGrey
- > ReferenceWhite / ReferenceGrey
- > VisionAcoustik
- > VisionRear DB and VisionRear, only without black borders

Standard Accessories

- > SuperQuick Bracket Attachment System, quick installation wall or ceiling brackets
- > Softend Lowbar System, rubber shock absorbers between the lower bar and case
- > Unipolar switch

Optional Accessories

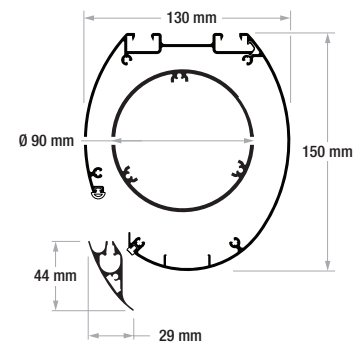
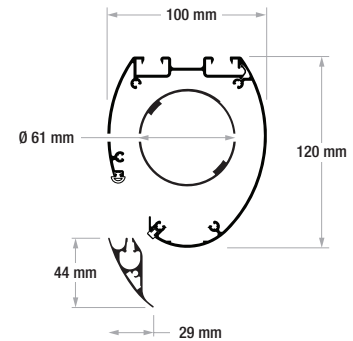
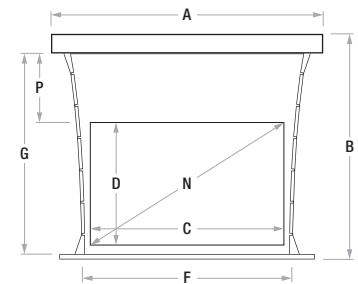
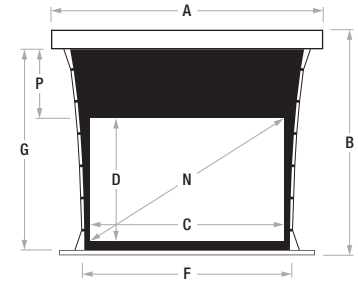
- > Interface to drive the screen in radio frequency with remote control (not included), 12V trigger, unipolar switch, dry contact or RS232
- > Receiver and infrared remote control
- > Extension brackets for screens up to 60 cm
- > Screen lift

PSS Formats

| | | | | | | | |
|-----|--------|--------|--------|--------|--------|--------|--------|
| 1:1 | 1.33:1 | 1.60:1 | 1.78:1 | 2.35:1 | 2.37:1 | 2.39:1 | 2.40:1 |
| | 4:3 | 16:10 | 16:9 | 21:9 | | | |

Rugby Pro Tensio Classic 50 mm borders / without borders

| Aspect Ratio | Viewing Width | Viewing Height | Diagonal Inches | Overall Width | Overall Height | Surface Width | Surface Height | Standard Drop | Total Maximum Drop | Packaging Dimensions | Net Weight | Gross Weight |
|--------------|---------------|----------------|-----------------|---------------|----------------|---------------|----------------|---------------|--------------------|----------------------|------------|--------------|
| | C | D | N | A | B | F | G | P | mm | mm | kg | kg |
| 1,00 (1:1) | 1620 | 1620 | 90 | 2070 | 1884 | 1720 | 1720 | 50 | 50 | 2250X150X180 | 15 | 17 |
| | 2120 | 2120 | 118 | 2570 | 2414 | 2220 | 2220 | 50 | 50 | 2750X210X200 | 20 | 22 |
| | 2620 | 2620 | 146 | 3070 | 2964 | 2720 | 2770 | 100 | 100 | 3250X210X200 | 26 | 28 |
| 1,33 (4:3) | 1620 | 1218 | 80 | 2070 | 1482 | 1720 | 1318 | 50 | 450 | 2250X150X180 | 15 | 17 |
| | 2120 | 1594 | 104 | 2570 | 1858 | 2220 | 1694 | 50 | 450 | 2250X150X180 | 20 | 22 |
| | 2620 | 1970 | 129 | 3070 | 2314 | 2720 | 2120 | 100 | 450 | 3250X210X200 | 26 | 28 |
| | 3120 | 2346 | 154 | 3570 | 2690 | 3220 | 2496 | 100 | 450 | 3750X210X200 | 32 | 34 |
| | 3620 | 2722 | 178 | 4070 | 3066 | 3720 | 2872 | 100 | 450 | 4250X210X200 | 38 | 40 |
| 4120 | 3098 | 203 | 4570 | 3442 | 4220 | 3248 | 100 | 350 | 4750X210X200 | 44 | 46 | |
| 1,78 (16:9) | 1620 | 910 | 73 | 2070 | 1174 | 1720 | 1010 | 50 | 450 | 2250X150X180 | 15 | 17 |
| | 2120 | 1191 | 96 | 2570 | 1455 | 2220 | 1291 | 50 | 450 | 2250X150X180 | 20 | 22 |
| | 2620 | 1472 | 118 | 3070 | 1816 | 2720 | 1622 | 100 | 450 | 3250X210X200 | 26 | 28 |
| | 3120 | 1753 | 141 | 3570 | 2097 | 3220 | 1903 | 100 | 450 | 3750X210X200 | 32 | 34 |
| | 3620 | 2034 | 178 | 4070 | 3026 | 3720 | 2872 | 100 | 450 | 4250X210X200 | 38 | 40 |
| 4120 | 2315 | 203 | 4570 | 3402 | 4220 | 3248 | 100 | 450 | 4750X210X200 | 44 | 46 | |
| 1,6 (16:10) | 1620 | 1013 | 75 | 2070 | 1277 | 1720 | 1113 | 50 | 450 | 2250X150X180 | 15 | 17 |
| | 2120 | 1325 | 98 | 2570 | 1589 | 2220 | 1425 | 50 | 450 | 2250X150X180 | 20 | 22 |
| | 2620 | 1638 | 122 | 3070 | 1982 | 2720 | 1788 | 100 | 450 | 3250X210X200 | 26 | 28 |
| | 3120 | 1950 | 145 | 3570 | 2294 | 3220 | 2100 | 100 | 450 | 3750X210X200 | 32 | 34 |
| | 3620 | 2263 | 178 | 4070 | 3026 | 3720 | 2872 | 100 | 450 | 4250X210X200 | 38 | 40 |
| 4120 | 2575 | 203 | 4570 | 3402 | 4220 | 3248 | 100 | 450 | 4750X210X200 | 44 | 46 | |
| 2,35 (21:9) | 1620 | 689 | 69 | 2070 | 953 | 1720 | 789 | 50 | 450 | 2250X150X180 | 15 | 17 |
| | 2120 | 902 | 91 | 2570 | 1166 | 2220 | 1002 | 50 | 450 | 2250X150X180 | 20 | 22 |
| | 2620 | 1115 | 112 | 3070 | 1459 | 2720 | 1265 | 100 | 450 | 3250X210X200 | 26 | 28 |
| | 3120 | 1328 | 133 | 3570 | 1672 | 3220 | 1478 | 100 | 450 | 3750X210X200 | 32 | 34 |
| | 3620 | 1540 | 178 | 4070 | 3026 | 3720 | 2872 | 100 | 450 | 4250X210X200 | 38 | 40 |
| 4120 | 1753 | 203 | 4570 | 3402 | 4220 | 3248 | 100 | 450 | 4750X210X200 | 44 | 46 | |
| 2,37 | 1620 | 684 | 69 | 2070 | 948 | 1720 | 784 | 50 | 450 | 2250X150X180 | 15 | 17 |
| | 2120 | 895 | 91 | 2570 | 1159 | 2220 | 995 | 50 | 450 | 2250X150X180 | 20 | 22 |
| | 2620 | 1105 | 112 | 3070 | 1449 | 2720 | 1255 | 100 | 450 | 3250X210X200 | 26 | 28 |
| | 3120 | 1316 | 133 | 3570 | 1660 | 3220 | 1466 | 100 | 450 | 3750X210X200 | 32 | 34 |
| | 3620 | 1527 | 178 | 4070 | 3026 | 3720 | 2872 | 100 | 450 | 4250X210X200 | 38 | 40 |
| 4120 | 1738 | 203 | 4570 | 3402 | 4220 | 3248 | 100 | 450 | 4750X210X200 | 44 | 46 | |
| 2,40 | 1620 | 675 | 69 | 2070 | 939 | 1720 | 775 | 50 | 450 | 2250X150X180 | 15 | 17 |
| | 2120 | 883 | 90 | 2570 | 1147 | 2220 | 983 | 50 | 450 | 2250X150X180 | 20 | 22 |
| | 2620 | 1092 | 112 | 3070 | 1436 | 2720 | 1242 | 100 | 450 | 3250X210X200 | 26 | 28 |
| | 3120 | 1300 | 133 | 3570 | 1644 | 3220 | 1450 | 100 | 450 | 3750X210X200 | 32 | 34 |
| | 3620 | 1508 | 178 | 4070 | 3026 | 3720 | 2872 | 100 | 450 | 4250X210X200 | 38 | 40 |
| 4120 | 1717 | 203 | 4570 | 3402 | 4220 | 3248 | 100 | 450 | 4750X210X200 | 44 | 46 | |



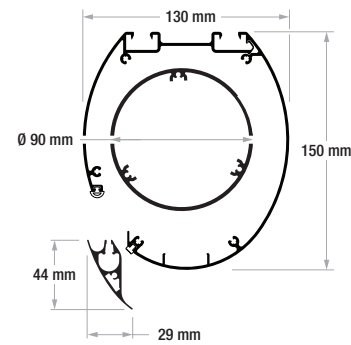
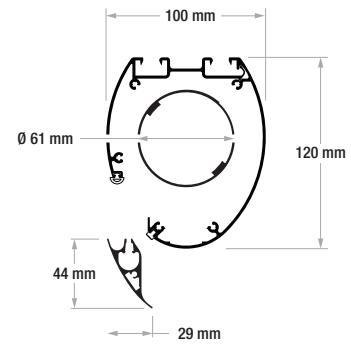
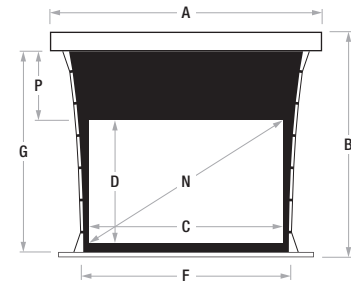
In certain circumstances, due to the surface's height, it is necessary to use a case with the rolling tube of 90 mm.



Surface Fireproof Certifications

Rugby Pro Tensio Classic 70 mm borders

| Aspect ratio | Viewing Width | Viewing Height | Diagonal Inches | Overall Width | Overall Height | Surface Width | Surface Height | Standard Drop | Total Maximum Drop | Packaging Dimensions | Net Weight | Gross Weight |
|--------------|---------------|----------------|-----------------|---------------|----------------|---------------|----------------|---------------|--------------------|----------------------|------------|--------------|
| | C | D | N | A | B | F | G | P | mm | mm | kg | kg |
| 1,00 (1:1) | 1580 | 1580 | 88 | 2070 | 1884 | 1680 | 1720 | 70 | 70 | 2250X150X180 | 15 | 17 |
| | 2080 | 2080 | 116 | 2570 | 2414 | 2180 | 2220 | 70 | 70 | 2750X210X200 | 20 | 22 |
| | 2580 | 2580 | 144 | 3070 | 2944 | 2680 | 2750 | 100 | 100 | 3250X210X200 | 26 | 28 |
| 1,33 (4:3) | 1580 | 1188 | 78 | 2070 | 1492 | 1680 | 1328 | 70 | 450 | 2250X150X180 | 15 | 17 |
| | 2080 | 1564 | 102 | 2570 | 1868 | 2180 | 1704 | 70 | 450 | 2250X150X180 | 20 | 22 |
| | 2580 | 1940 | 127 | 3070 | 2304 | 2680 | 2110 | 100 | 450 | 3250X210X200 | 26 | 28 |
| | 3080 | 2316 | 152 | 3570 | 2680 | 3180 | 2486 | 100 | 450 | 3750X210X200 | 32 | 34 |
| | 3580 | 2692 | 176 | 4070 | 3056 | 3680 | 2862 | 100 | 450 | 4250X210X200 | 38 | 40 |
| 4080 | 3068 | 201 | 4570 | 3432 | 4180 | 3238 | 100 | 350 | 4750X210X200 | 44 | 46 | |
| 1,78 (16:9) | 1580 | 888 | 71 | 2070 | 1192 | 1680 | 1028 | 70 | 450 | 2250X150X180 | 15 | 17 |
| | 2080 | 1169 | 94 | 2570 | 1473 | 2180 | 1309 | 70 | 450 | 2250X150X180 | 20 | 22 |
| | 2580 | 1449 | 117 | 3070 | 1813 | 2680 | 1619 | 100 | 450 | 3250X210X200 | 26 | 28 |
| | 3080 | 1730 | 139 | 3570 | 2094 | 3180 | 1900 | 100 | 450 | 3750X210X200 | 32 | 34 |
| | 3580 | 2011 | 178 | 4070 | 3026 | 3680 | 2872 | 100 | 450 | 4250X210X200 | 38 | 40 |
| 4080 | 2292 | 203 | 4570 | 3402 | 4180 | 3248 | 100 | 450 | 4750X210X200 | 44 | 46 | |
| 1,6 (16:10) | 1580 | 988 | 73 | 2070 | 1292 | 1680 | 1128 | 70 | 450 | 2250X150X180 | 15 | 17 |
| | 2080 | 1300 | 97 | 2570 | 1604 | 2180 | 1440 | 70 | 450 | 2250X150X180 | 20 | 22 |
| | 2580 | 1613 | 120 | 3070 | 1977 | 2680 | 1783 | 100 | 450 | 3250X210X200 | 26 | 28 |
| | 3080 | 1925 | 143 | 3570 | 2289 | 3180 | 2095 | 100 | 450 | 3750X210X200 | 32 | 34 |
| | 3580 | 2238 | 178 | 4070 | 3026 | 3680 | 2872 | 100 | 450 | 4250X210X200 | 38 | 40 |
| 4080 | 2550 | 203 | 4570 | 3402 | 4180 | 3248 | 100 | 450 | 4750X210X200 | 44 | 46 | |
| 2,35 (21:9) | 1580 | 672 | 68 | 2070 | 976 | 1680 | 812 | 70 | 450 | 2250X150X180 | 15 | 17 |
| | 2080 | 885 | 89 | 2570 | 1189 | 2180 | 1025 | 70 | 450 | 2250X150X180 | 20 | 22 |
| | 2580 | 1098 | 110 | 3070 | 1462 | 2680 | 1268 | 100 | 450 | 3250X210X200 | 26 | 28 |
| | 3080 | 1311 | 132 | 3570 | 1675 | 3180 | 1481 | 100 | 450 | 3750X210X200 | 32 | 34 |
| | 3580 | 1523 | 178 | 4070 | 3026 | 3680 | 2872 | 100 | 450 | 4250X210X200 | 38 | 40 |
| 4080 | 1736 | 203 | 4570 | 3402 | 4180 | 3248 | 100 | 450 | 4750X210X200 | 44 | 46 | |
| 2,37 | 1580 | 667 | 68 | 2070 | 971 | 1680 | 807 | 70 | 450 | 2250X150X180 | 15 | 17 |
| | 2080 | 878 | 89 | 2570 | 1182 | 2180 | 1018 | 70 | 450 | 2250X150X180 | 20 | 22 |
| | 2580 | 1089 | 110 | 3070 | 1453 | 2680 | 1259 | 100 | 450 | 3250X210X200 | 26 | 28 |
| | 3080 | 1300 | 132 | 3570 | 1664 | 3180 | 1470 | 100 | 450 | 3750X210X200 | 32 | 34 |
| | 3580 | 1511 | 178 | 4070 | 3026 | 3680 | 2872 | 100 | 450 | 4250X210X200 | 38 | 40 |
| 4080 | 1722 | 203 | 4570 | 3402 | 4180 | 3248 | 100 | 450 | 4750X210X200 | 44 | 46 | |
| 2,40 | 1580 | 658 | 67 | 2070 | 962 | 1680 | 798 | 70 | 450 | 2250X150X180 | 15 | 17 |
| | 2080 | 867 | 89 | 2570 | 1171 | 2180 | 1007 | 70 | 450 | 2250X150X180 | 20 | 22 |
| | 2580 | 1075 | 110 | 3070 | 1439 | 2680 | 1245 | 100 | 450 | 3250X210X200 | 26 | 28 |
| | 3080 | 1283 | 131 | 3570 | 1647 | 3180 | 1453 | 100 | 450 | 3750X210X200 | 32 | 34 |
| | 3580 | 1492 | 178 | 4070 | 3026 | 3680 | 2872 | 100 | 450 | 4250X210X200 | 38 | 40 |
| 4080 | 1700 | 203 | 4570 | 3402 | 4180 | 3248 | 100 | 450 | 4750X210X200 | 44 | 46 | |



In certain circumstances, due to the surface's height, it is necessary to use a case with the rolling tube of 90 mm.