



Description

The Kommander-KA02 is the smallest amplifier in the Kommander line with an incredibly compact size of 144 x 46 x 144 mm.


The amplifier features mini-jack unbalanced and two balanced analog inputs, TOSLINK optical digital input and complete wireless connectivity. Converted by AKM's quality ADC, the audio is processed by a powerful DSP working at 96 kHz – 32 bit and amplified by a 4-channel Class D module.

With the backing of 200 W, the KA02 can be arranged in multiple output configurations such as 4x 50 W, 2x 100 W or 2x 50 W + 1x 100 W.

Mobile devices can stream music through the Kommander-KA02 via Bluetooth. With the possibility to be controlled via Wi-Fi by a dedicated app, the KA02 has the ability to access music from any USB storage device and through onboard Spotify Connect or Web Radio streaming.

Easily concealed and remotely controllable, the Kommander-KA02 compact amplifier is the perfect solution for discreet installations.

The Kommander-KA02 is included in the Azimut systems as the optimal companion for the K-array Lizard and Vyper loudspeakers.

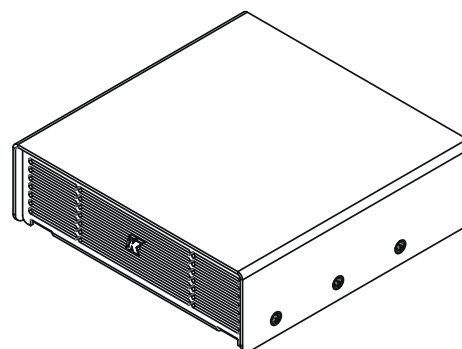
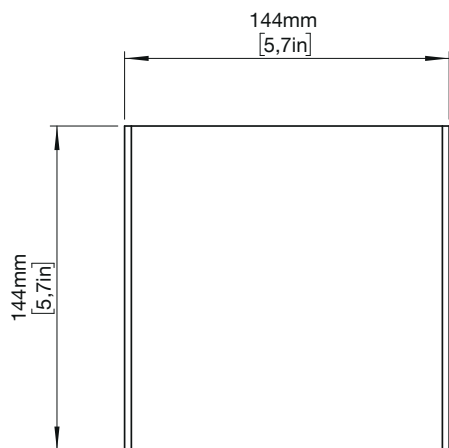
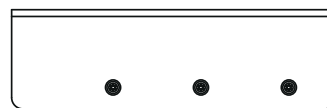
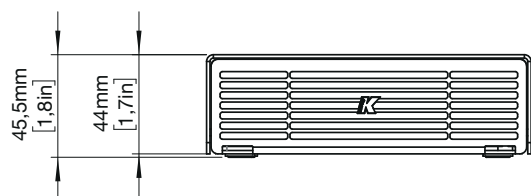
Colors		Features		Frequent Applications	
Black		Plug & Play	Dedicated Control App	Retail	Cafes, Bistros & Restaurants
		Remote Control	Multi-room Integration	Hotels & Resorts	
		Bluetooth Connectivity		Fitness & Wellness	

Accessories					
K-RACK2	K-BRK				

Technical Specifications

General	
Type	4ch switching mode, Class D Amplifier
Output Power ¹	4x 50 W @ 4 Ω
Impedance	minimum 4 Ω (4 Ω PBTl)
Frequency Response	20 Hz – 20 kHz (±1 dB)
Connections	3.5 mm jack unBAL analog stereo input, 2x BAL input: Phoenix MC 1.5/ 3-ST-3.81, TOSLINK optical input, 4x user selectable GPIO, 4x USB-A 2.0, 1x RJ45 Ethernet, Bluetooth 4.1 Low Energy, Wi-Fi IEEE 802.11 b/g/n
Built-in DSP	Equalization, signal distribution, multi-room, loudspeaker presets
Remote control	Bluetooth and Wi-Fi dedicated APP
Protections	Over Temp. (Power Limiting – Thermal Shutdown), Short Circuit/Overload Output Protection, Power Limiting, Clip Limiter/Permanent Signal Limiter, High Frequency Protection
MAINS Operating Range	Dedicated AC/DC power adapter 100-240V ~ AC, 50-60 Hz input / 24 V, 4 A DC output
Power Consumption	20 W @ 4 Ω load, Pink noise, 1/8 rated power
Handling & Finishes	
IP Rating	IP20
Dimensions (WxHxD)	144 x 46 x 144 mm (5.7 x 1.8 x 5.7 in)
Weight	0.5 kg (1.1 lb)
Material	Aluminum
Accessories	
Monting accessories	K-RACK2, K-BRK

¹ EIAJ 8/32 test standard



Notes:

Passive loudspeakers require dedicated presets loaded onboard K-array amplifiers.
New materials and designs are introduced into existing products without previous notice.
Present systems may differ in some respects from those presented in this catalog.